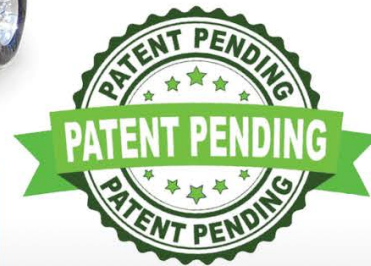




***Pac-mac***



# ROLL-OFF HOIST

The Pac-Mac Roll-Off offers superior versatility, maneuverability, and value. Pac-Mac sets the standard for the superior performance-driven fleets in the waste industry.  
**DO IT RIGHT with Pac-Mac!**



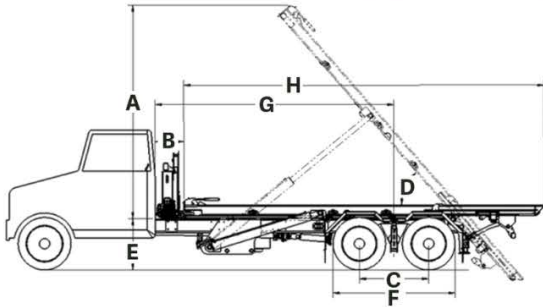
\*\*\*\*\*  
\*\*\*\*\*  
**MADE IN THE USA**

**Visit us online at [www.e-pac-mac.com](http://www.e-pac-mac.com)**

Manufactured by Hol-Mac Corporation • P.O. Box 349 • Bay Springs, MS 39422 • 601-764-4121

# ROLL-OFF HOIST

## TECHNICAL DATA & SPECIFICATIONS



<u>MODEL</u>	<u>A</u>	<u>B</u>	<u>C</u>	<u>D</u>	<u>E</u>	<u>F</u>	<u>G</u>	<u>H</u>
PMRO_601740R	167"	22"	51-55"	49°	43" MAX	96" MAX	186"	281"

### Minimum Chassis Requirements (Tandem Axle)

\*The chart below is an example of how to calculate the chassis section modulus (RBM/PSI+SM). Regardless of the frame YIELD and RBM, the minimum SM must be 17.5 in3 or more per each frame rail.

Frame Channel Height	RBM	Yield (PSI)	RBM/PSI+SM in3
10 in. or more (Single wall)	2,400,000 - 4,000,000	120,000 psi	20 in3 - 33.3 in3
10 in. or more (Double wall)	2,000,000 - 4,000,000	100,000 psi	20 in3 - 40 in3

Note: The single-walled 12k psi with RBM less than 2,400,000 would not be acceptable because its SM would fall below the 20 in3 minimum specifications (2,300,000/120,000=19.17 in3). For frames less than 10 in., consult engineering.



\*Patent Pending bolt-on integrated hydraulic valve, tank, and tarper base.



\*Patent Pending ergonomic control console that includes: rear camera monitor, hoist controls, work light switch, PTO switch, and optional on-board scale digital read-out and printer



Mechanical forward folding ICC Bumper (Can be pinned up for trailering)



\*Patent Pending hydraulic fluid line for tarper system

### STANDARD FEATURES: \* Patent Pending

#### Controls

- Spin-on filter, spin-on breather, and sight glass with temperature gauge
- Sectional manual control valve outside of cab
- Hoist controls inside the cab on a swing-away control tower\*

#### Hoist

- 60,000 lbs. capacity
- For outside rail containers up to 22 ft. long x 8 ft. tall
- Hol-Mac reverse-mounted 6 in. lift cylinders.
- 7 in. reeving cylinders - Made in the USA
- Sleeved hoses to protect the hoses
- Rigid rear container hold downs
- Sliding rear strap winch hold downs
- Steel line plumbing reduces rubber hoses to a minimum\*
- 10 in. cable sheaves with 2 1/2 in. pins
- 4 in. diameter double-shear heavy-duty side rollers with replaceable pins
- Auto forward-folding mechanical ICC bumper. Stowable for trailering.
- Pintle-ready hitch rear attachment point
- Heavy-duty cable end storage
- Bolt on replaceable steel fenders and tarper system\*
- Replaceable bolt-on 8 in. wide x 1/2 in. thick rear sheave guards
- 49° tilt angle
- All lube fittings are accessible from ground level
- Wiring runs through a full-length steel conduit

#### Hydraulics

- Hydraulic tank located back of cab for improved cooling, improved supply to pump, and stays cleaner
- Hydraulic pressure gauge

#### Warranty

- 3-year major structural component parts
- 1-year non-hydraulic replacement parts

#### Safety

- ANSI Z-245 compliance
- Automatic roller lock
- Dual safety props for maintenance
- Dual tone backup alarm and hoist-up alarm with a signal light in cab
- D.O.T. approved recessed L.E.D. lighting and reflectors
- Mid-body L.E.D. turn signals
- High-mounted license plate bracket
- Mud flaps front and rear
- Rear camera guard

### OPTIONS:

- Integrated arm-type tarper
- Fold-down auxiliary front stops for short containers
- Two work lights mounted on rear light boxes
- Steel toolbox 18 in. x 18 in. x 48 in. left, right, or both
- Bolt on onboard scale kit. No modifications required
- Rear camera
- On-board scale system printer



POWERED BY:

**HOL-MAC**  
CORPORATION

Manufactured by Hol-Mac Corporation  
P.O. Box 349 • Bay Springs, MS 39422 • 601-764-4121  
Visit us online at [www.hol-mac.com](http://www.hol-mac.com)

