



KB-220 SERIES

HERE COMES THE BOOM

The KB-220 Series functions in solid waste, tree care, and the forestry industry, with a boom reach of up to 25 feet. This unit comes standard with hydraulic joysticks and a tandem pump for even smoother operation. The KB-220 is quality built with pride. DO IT RIGHT with Pac-Mac®!

Sourcewell
Awarded Contract
Contract # 041217-HMC

HGACBuy™
THE SMART PURCHASING SOLUTION



E-PAC-MAC.COM

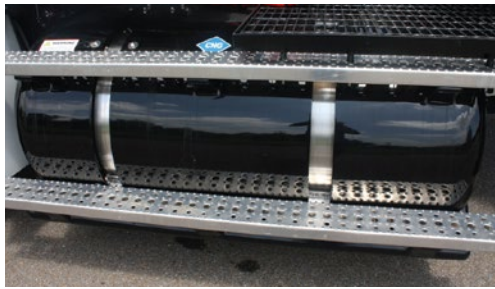
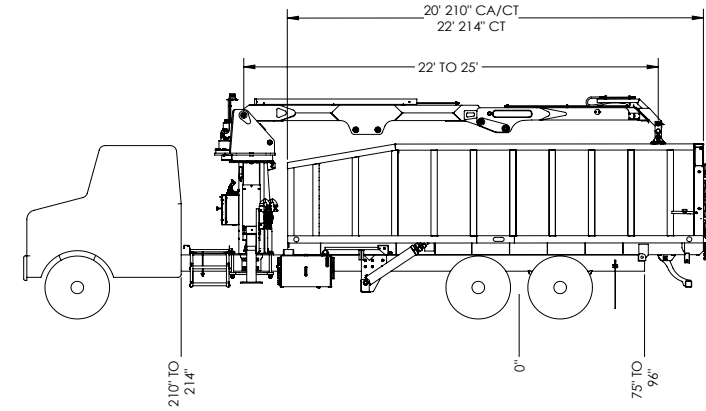
Manufactured by Hol-Mac Corporation
P.O. Box 349 • Bay Springs, MS 39422 • 601-764-4121



KB-220 SERIES

TECHNICAL DATA AND SPECIFICATIONS

GENERAL SPECIFICATIONS



Pac-Mac can accommodate a variety of CNG tank options including below the rail saddle tanks or back of cab, above rail tanks



One-piece door with bucket rests available on certain models

Height of boom to ground in lowest travel position (based on 42 in. chassis height)	12 ft. 6 in. stand up 13 ft. 1 in. rotating platform
Boom length	20 ft. fixed 22 ft. fixed
Optional boom lengths	23 ft. (20 ft. with 3 ft. extended) 25 ft. (22 ft. with 3 ft. extended)
Boom rotation	270° non-continuous (stand up) 360° continuous (only on crows nest)
Lifting capacity at 22 ft. (with bucket)	Varies with boom length
Hydraulics	Tandem pump for simultaneous operation of multiple functions
Operator Controls:	
Standup	Pilot-operated hydraulic joysticks or mechanical levers
Rotating platform	Mechanical joysticks or pilot-operated hydraulic joysticks

RECOMMENDED CHASSIS

*Depends on loader configuration and options selected

Cab to axle (CA)	See Chassis Requirements
Front axle	16,000 lbs. (minimum)
Rear axle	30,000 lbs. (minimum) - single rear axle 40,000 lbs. (minimum) - tandem rear axle
GVW	46,000 lbs. (minimum) - single rear axle 56,000 lbs. (minimum) - tandem rear axle
Engine	250 HP (minimum)
Transmission	Automatic or manual
Frame	Minimum 1,800,000 RBM (150,000 PSI Material)

FEATURES

- ▶ All hoses are enclosed within pedestal
- ▶ Rotating operator's station
- ▶ Pilot-operated hydraulic joysticks
- ▶ Pilot-operated swing control (only on crows nest)
- ▶ 360-degree continuous boom rotation (only on crows nest)
- ▶ A-style outrigger design
- ▶ Ease of outrigger removal and maintenance
- ▶ Built-in holding valves for safety
- ▶ Smooth pads for minimal street damage
- ▶ Boom up sensor
- ▶ Twin cylinders provide superior biting force (bucket)
- ▶ High strength tempered steel replaceable cutting edges (bucket)
- ▶ Anti-scalp design (bucket)
- ▶ 360-degree continuous rotation (bucket)
- ▶ Integral holding valves in main and tip boom cylinders for increased safety
- ▶ Ductile iron gland/piston, chrome rods, replaceable bronze bushings
- ▶ Bumper meets DOT standards
- ▶ 1-year hydraulic warranty

OPTIONS

- ▶ Hardox body
- ▶ Door style options: single, grapple rest, double, or scow
- ▶ "Outrigger Up" safety feature
- ▶ Tarp options: spring assist with arm, spring assist armless, electric with arm
- ▶ Air latch
- ▶ Mechanical joysticks

BODY

Length	18, 20, or 22 ft.
Capacity	24 / 30 / 40 cubic yds.
Tilt	45° +/- 1°
Floor	3/16 in. (1/4 in. optional) 4 in. joist with 12 in. spacing
Sides	Side ribs 24 in. spacing
Lighting	L.E.D. / Mid-body turn signals Strobes in rear corner of post

BUCKET

Width	4 ft. - (32" wide optional)
Fully open	5 ft.

All design, specifications, and components are subject to change at the manufacturer's sole discretion at any time without notice. Data published herein is for information purposes only and shall not be construed to warrant suitability of the unit for any particular purpose, as performance may vary with the conditions encountered. The only warranty is our standard written warranty for this product at the time of shipment.

